



ALST-002-2015

Service Tip

06/18/15

Subject: Duct Flanges on New Air Handlers

We'd like to address a concern expressed by some of our valued contractors as regards the new RUUD RH series Air Handlers. When removing the unit from the packaging it appears to not have supply duct flanges. This had been brought to our attention with older models, a fact we passed that along to RUUD who listened when our customers spoke.

As a result the new Air Handlers are shipped with a universal flange kit designed to be field installed as needed on all three air handler widths (17", 21" and 24"). These optional, field installed kits are also shipped with the new RCH series aluminum cased coils. The primary reason these flanges are not factory installed is due to The Installation instructions are attached below.

If you have any questions please don't hesitate to contact me and thank you for your business.

Regards,

Richard Hilke

Technical Service Manager

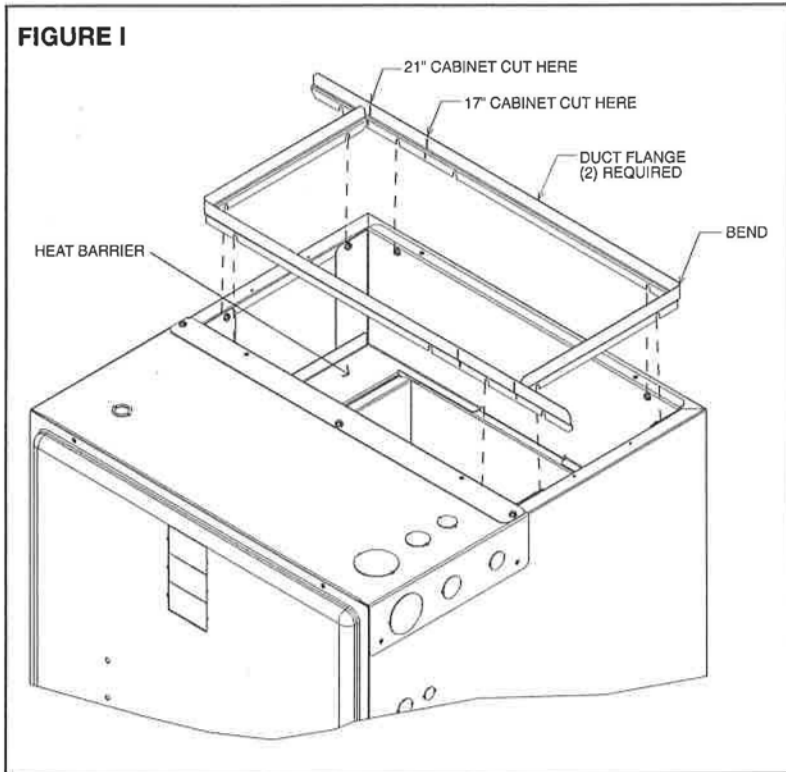
Allied Virginia Beach

757-499-5406

INSTALLATION INSTRUCTIONS FOR UNIVERSAL DUCT FLANGES

Air Handler duct flange installation.

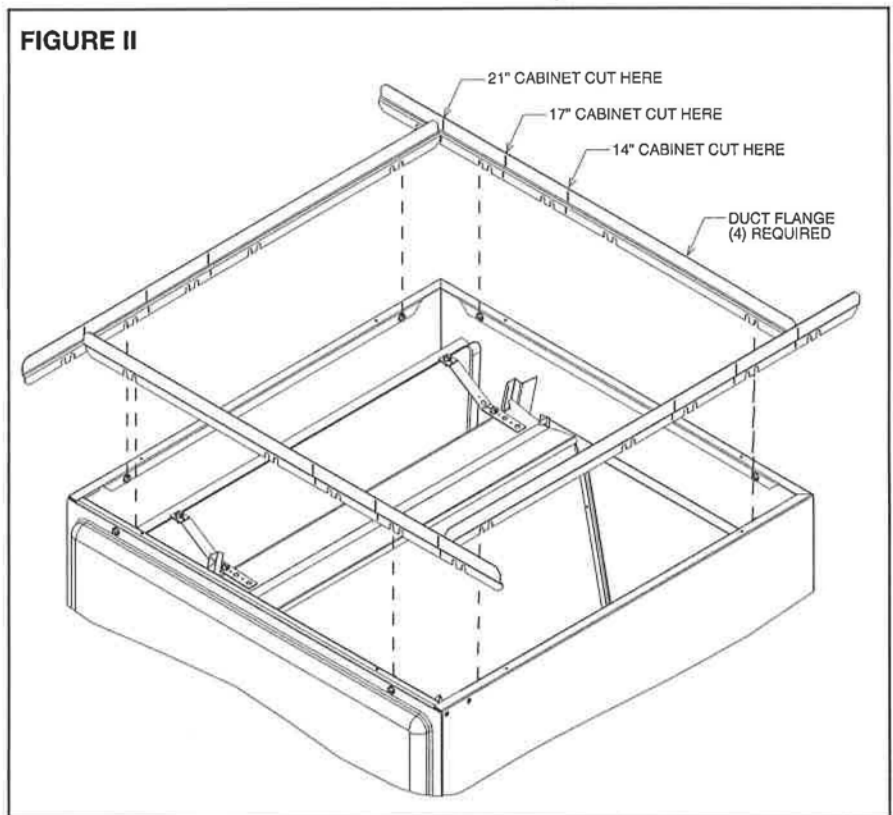
FIGURE I



1. Loosen the screws attaching the heat barrier to cabinet.
2. Form a 90-degree bend with the short leg length at approximately 9.9". The duct flanges are made for 24.5" cabinet. For 17.5" and 21" wide cabinets, cut the long leg as marked on Figure I to match the cabinet width.
3. Slide the duct flanges onto the loosened screws. Retighten all the screws.

Cased Coil duct flange installation.

FIGURE II



1. The duct flanges are made for 24.5" wide cabinet. For 14", 17.5" and 21" wide cabinets, cut the flange as marked on Figure II to match the cabinet width.
2. Since all cabinets have the same depth, cut the flange at the 21" marker to match the cabinet depth.
3. Screw the flanges to the cabinet as shown on Figure II.

Duct Flanges are located in the white package below

